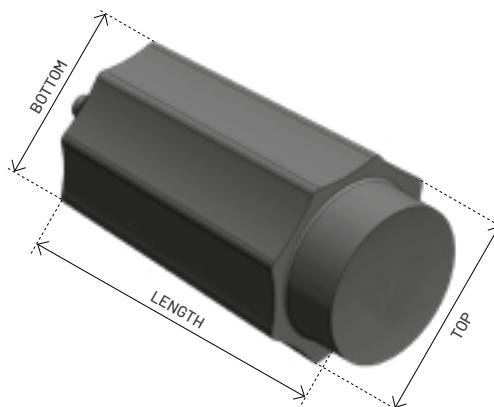


M2.06.01 (rev.0 - 1st September 2021).

Table of ingots dimensions and weights.

All weights and dimensions must be considered indicative.



Polygonal Ingots

INGOT	SIDES n°	INGOTS PER HEAT		DIMENSIONS				TOTAL WEIGHT [kg]		WEIGHT WITHOUT TOP [kg]		BOTTOM WEIGHT [kg]
				TOP ∅ [mm]	BOTTOM ∅ [mm]	LENGTH [mm]						
						min	max	min	max			
6700	8	5	6	820	710	1.650		6.500		5.650	N	
8500	8	4		940	780	1.650		8.100		7.150	N	
11000	8	3	4	1.050	920	1.570		10.550		9.050	100	
11000H	8	2	4	1.050	920	1.560	1.920	11.000	13.300	9.050	11.350	100
16000	8	2	3	1.250	1.090	1.690		16.000		13.800		160
16000H	8	2		1.260	1.090	1.680	1.970	16.720	19.350	13.840	16.470	160
21000	8	2		1.260	1.090	2.020	2.310	19.900	22.400	17.000	19.500	160
23500	8	2		1.480	1.310	1.700		24.650		20.550		1.000
25500	8	1	2	1.500	1.310	1.860		27.250		22.500		1.000
27500	8	1		1.520	1.310	2.010		29.700		24.600		1.000
31000	8	1		1.510	1.310	2.180		31.800		26.700		1.000
35000	16	1		1.590	1.400	1.930	2.580	32.000	41.900	27.170	37.070	1.000
45000	16	1		1.790	1.530	2.180	2.770	45.350	56.600	37.530	48.780	1.200

The number of ingots is related to the total weight of the cast:

- Minimum melt weight = 26.600 kg
- Maximum AOD capacity = 40.000 kg

Different ingots or special requests of weight may be discussed with the Commercial Department.